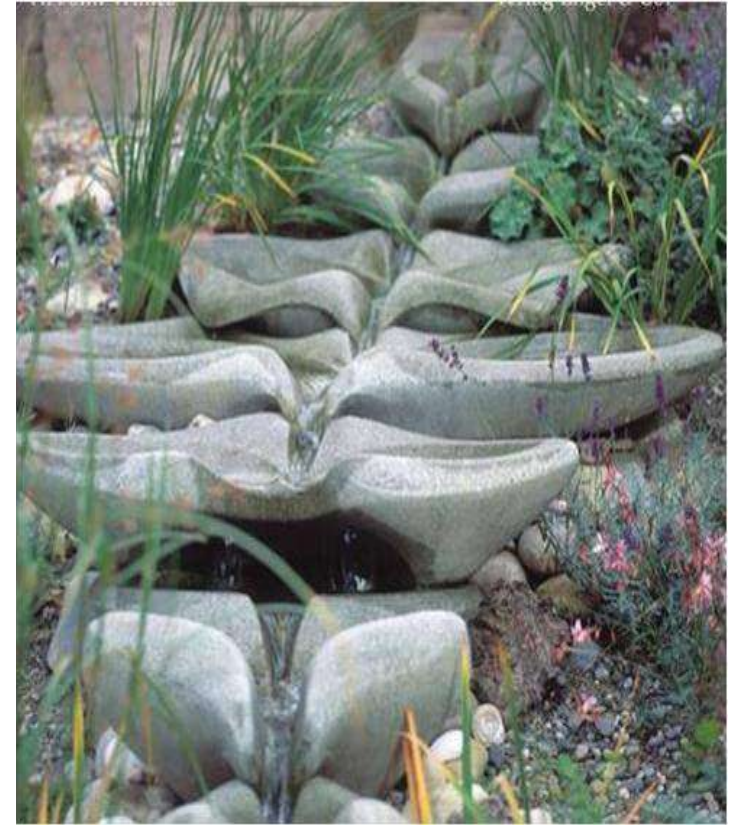
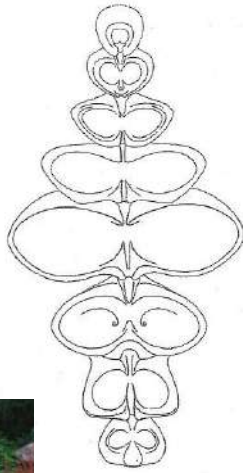


# Ebb & Flow

Water Sculptures and Landscapes

Ruskin Mill Old Bristol Road Nailsworth  
Gloucestershire GL6 0LA United Kingdom  
TEL / FAX: +44 (0)1453 836060  
Email: info@ebbandflowltd.co.uk



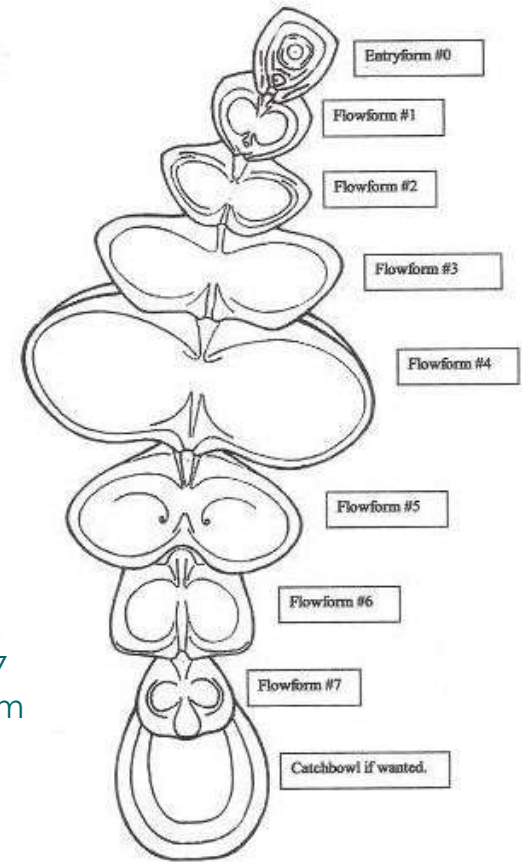
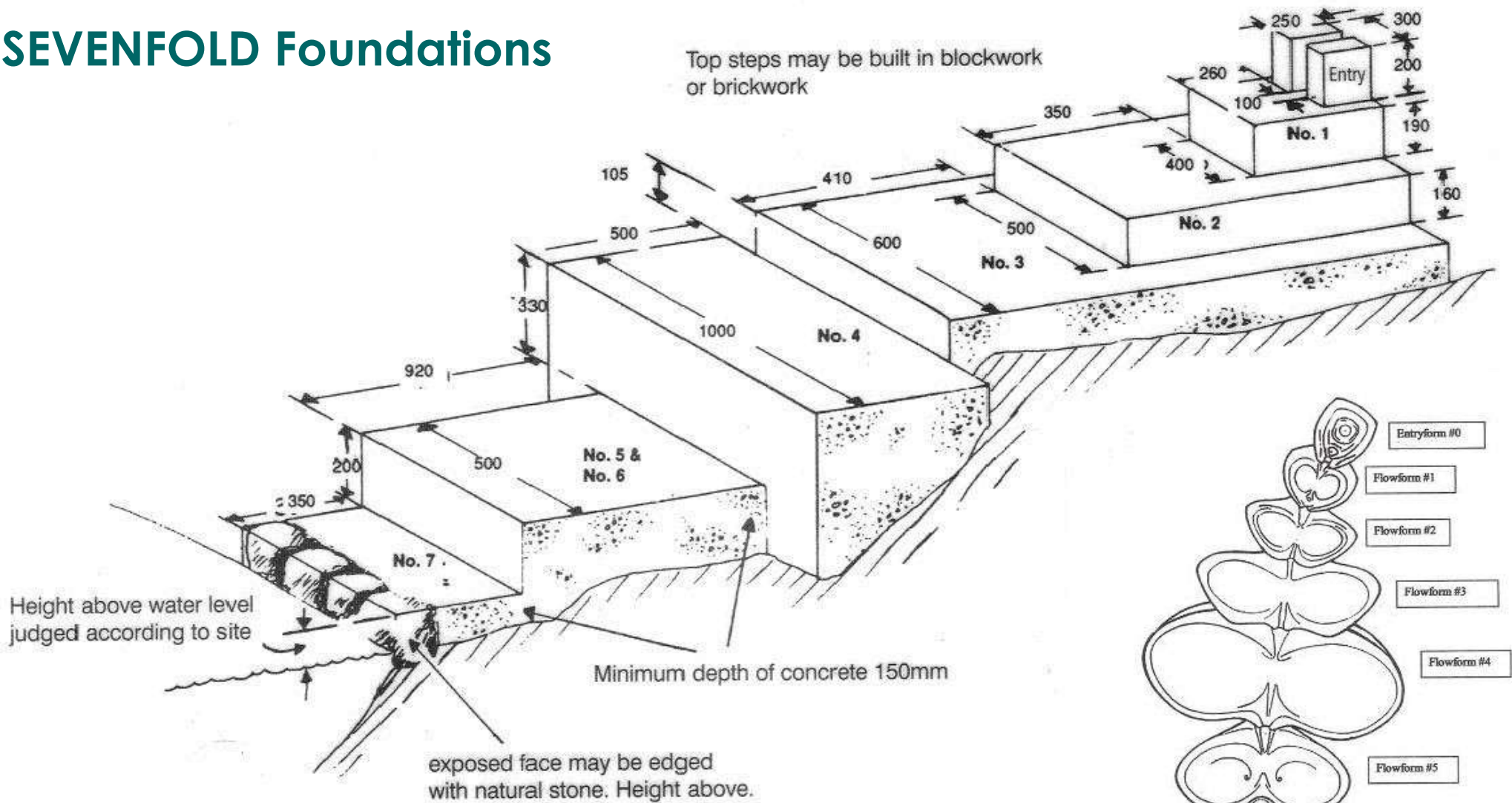
## Sevenfold

This set is the most artistically developed cascade available. There is a metamorphosis from upward fast back flow through slow horizontal sweeps and vortical movements into a resonant chamber, to fast light forward flow at the end.

The sculpture is created in tune with the formative gestures found in living organisms but is not a copy of anything found in nature. The sound created in the chamber is particularly engaging.

*Design © Flowform Design Ltd*

# SEVENFOLD Foundations



Plan view of all 7 forms + Entry form + Catch bowl



# SEVENFOLD size specifications

	Weight kg	Length mm	Width mm	Height mm
Entry	28	420	330	320
No.1	56	440	440	310
No.2	52	400	690	270
No.3	80	520	1060	240
No.4	175	640	1550	220
No.5	83	650	1010	200
No.6	150	940	600	260
No.7	40	470	430	270
Complete set	664	3300	1550	1495



Complete set of 7 forms + entry

**Size (mm):** Length 3300 Width 1550 Height 1495  
**Weight:** 664 kg (complete set)  
**Flow rate:** 40 - 60 litres per minute  
**Material:** Cast granite stone with hand etched finish  
**Colour:** Green, Red or Black



Cascade using 6 forms + entry

